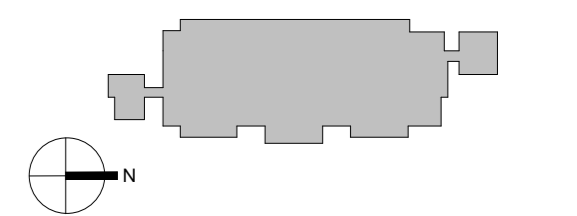


KEY PLAN



CDM RESIDUAL RISKS

THIS DRAWING HAS BEEN REVIEWED AGAINST THE DESIGN CDM ROLLING RISK REGISTER AND KNOWN SIGNIFICANT RESIDUAL RISKS HAVE BEEN IDENTIFIED.

MAINTENANCE/ CLEANING		SIGNIFICANT HAZARD REF
CONSTRUCTION		
DECOMMISSIONING/ DEMOLITION		

NOTES

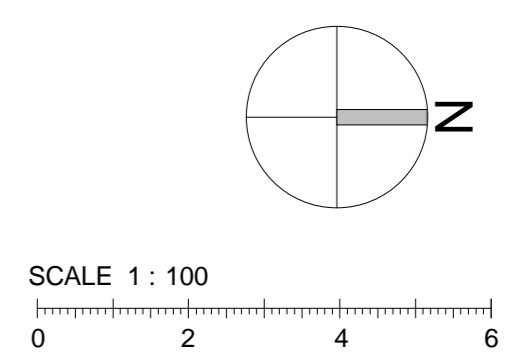
WC have been reallocated to meet Trust clarifications on types used throughout the scheme.



1 GA Plan Level 02 - Second Floor
1: 100

By Department Legend
 Yellow: Circulation
 Cyan: Palliative Care
 Grey: Services

Level 02 Area Schedule		
Level	Department	Area
Level 02 FFL		0.0 m ²
Level 02 FFL	Circulation	422.1 m ²
Level 02 FFL	Palliative Care	697.0 m ²
Grand total		1119.1 m ²



Rev	Description	Date	Dr by	App by
G	GA Plans Updated in line with Trust/ Viro Meeting on the 10.11.14	14.11.14	AC	EH
F	Amendments made incorporation with design and construction development	21.10.2014	AC	EH
E	Drawings updated with Part 7 - Schedule X Document (clinical wash hand stations omitted and replaced with gel dispensers)	01.05.14	AC	MA
D	FINANCIAL CLOSE ISSUE	18.11.13	MA	MA
C	Amendments made to reflect the addition of structural columns	13.11.13	AC	MA
B	Amendments made to reflect 1:50 approval comments for Contractors Proposals	18.05.13	AC	MW
A	Amendments made to layout reflecting 1:50 changes done through User Group sign-off pack	25.04.13	AC	MW



client name	Amber Solutions for Care		
project	Townlands Community Hospital, Henley		
drawing	Level 02 - Proposed Second Floor Plan - Department Layout		
computer file	27111/2014 10:37:33	plot date	
revision	27111/2014 10:37:33	scale	1:100 @A0
project number	2011.01017.000	rev	G
drawing number	AED_AA20_012	rev	FC

This drawing is to be used in conjunction with all related drawings. Do not scale from this drawing. All dimensions must be checked and verified on site before commencing any work. Issuing this drawing. The signature must be notified immediately of any discrepancy. This drawing is copyright and remains the property of AHR.